

## Radial Lead Transient Voltage Suppressors (TVS)

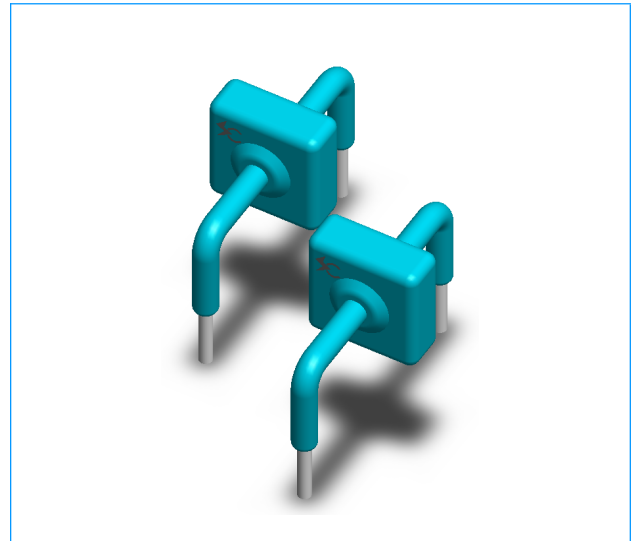
### KC Series

#### Description

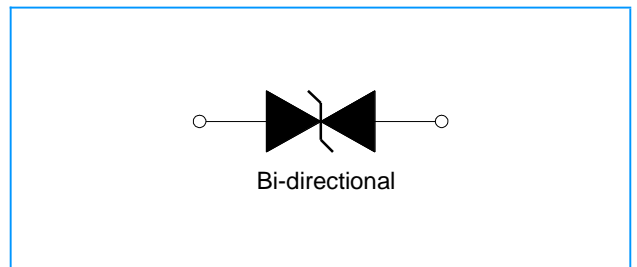
The KC Series of high current transient suppressors have been specially designed for use in A.C. line protection and any demanding applications (AC or DC). Any voltage rise due to increased current conduction is contained to a minimum, providing the best possible protection level. They can also be connected in series and/or parallel to create very high capacity protection solutions.

#### Features

- u Axial lead terminals
- u High current transient suppressor
- u Excellent Clamping Capability
- u Glass Passivated Junction
- u Bi-directional
- u Low Slope Resistance
- u Repetition Rate (duty cycle):0.01%
- u Hazardous Substances Free
- u RoHS Compliant
- u High Temperature soldering: 260°C/10 seconds at terminals
- u Epoxy Encapsulated
- u Silver plated leads
- u Solderable per MIL-STD-202 Method 208



#### Functional Diagram



#### Maximum Ratings (T<sub>A</sub>=25°C unless otherwise noted)

Parameter	Symbol	Value	Unit
Operating junction	T <sub>J</sub>	-55 to +150	°C
Storage Temperature Range	T <sub>STG</sub>	-55 to +150	°C
Current Rating <sup>1</sup>	I <sub>PP</sub>	10	KA

#### Notes:

1. Rated IPP measured with 8 × 20μs pulse.

## Radial Lead Transient Voltage Suppressors (TVS)

### KC Series

#### Electrical Characteristics (T<sub>A</sub>=25°C unless otherwise noted)

Part Number	Reverse Stand-Off Voltage		Breakdown Voltage	Test Current	Current Rating	Maximum Clamping Voltage	Reverse Leakage
	VAC(V)	VDC(V)	V <sub>BR</sub> (V) MIN. @I <sub>T</sub>	I <sub>T</sub> (mA)	I <sub>PP</sub> 8/20μs (KA)	V <sub>C</sub> (V) @I <sub>PP</sub>	I <sub>R</sub> (μA) @VDC
KC-012	8.5	12.8	14	10	10	28	20
KC-015	11	15	17	10	10	30	20
KC-020	14	20	22	10	10	40	20
KC-025	17	25	28	10	10	50	20
KC-030	21	30	33	10	10	60	20
KC-042	30	42	47	10	10	77	20
KC-058	40	58	64	10	10	110	20
KC-066	45	66	70	10	10	125	20
KC-076	54	76	83	10	10	135	20
KC-100	72	100	110	10	10	165	20
KC-133	100	133	147	10	10	220	20
KC-170	130	170	180	10	10	260	20
KC-190	145	190	200	10	10	290	20
KC-200	150	200	222	10	10	330	20
KC-240	180	240	250	10	10	340	20
KC-380	275	380	401	10	10	520	20
KC-430	310	430	440	10	10	625	20

# Radial Lead Transient Voltage Suppressors (TVS)

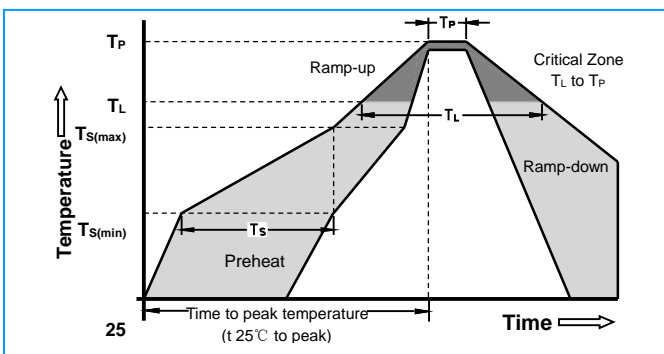
## KC Series

### Ratings and Characteristic Curves ( $T_A=25^\circ\text{C}$ unless otherwise noted) (Continued)

#### Physical Specifications

<b>Weight</b>	Contact manufacturer
<b>Case</b>	Epoxy encapsulated
<b>Terminal</b>	Silver plated leads, solderable per MIL-STD-750, Method 2026

#### Soldering Parameters



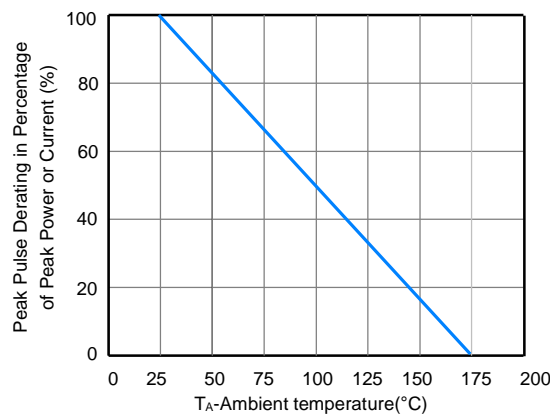
Reflow Condition		Lead-free assembly
Pre Heat	- Temperature Min ( $T_{s(min)}$ )	150°C
	- Temperature Max ( $T_{s(max)}$ )	200°C
	- Time (min to max) ( $T_s$ )	60 -180 Seconds
Average ramp up rate ( Liquidus Temp $T_L$ ) to peak		3°C/second max
$T_{s(max)}$ to $T_L$ - Ramp-up Rate		3°C/second max
Reflow	- Temperature ( $T_L$ ) (Liquidus)	217°C
	- Time (min to max) ( $T_L$ )	60 -150 Seconds
Peak Temperature ( $T_P$ )		260 +0/-5°C
Time within 5°C of actual peak Temperature ( $t_p$ )		20 -40 Seconds
Ramp-down Rate		6°C/second max
Time 25°C to peak Temperature ( $T_P$ )		8 minutes Max
Do not exceed		280°C

#### Flow/Wave Soldering (Solder Dipping)

<b>Peak Temperature :</b>	265°C
<b>Dipping Time :</b>	10 seconds
<b>Soldering :</b>	1 time

### Ratings and Characteristic Curves ( $T_A=25^\circ\text{C}$ unless otherwise noted)

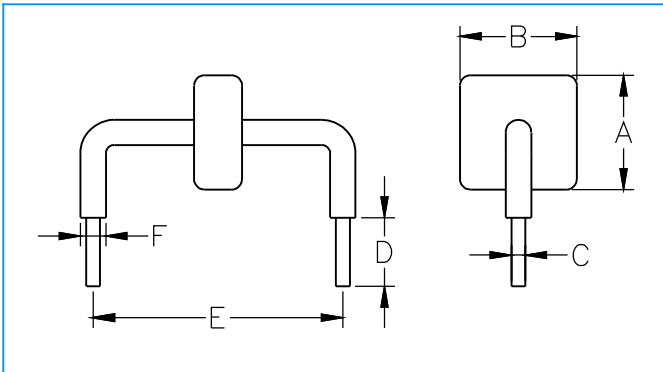
#### Pulse Derating Curve



# Radial Lead Transient Voltage Suppressors (TVS)

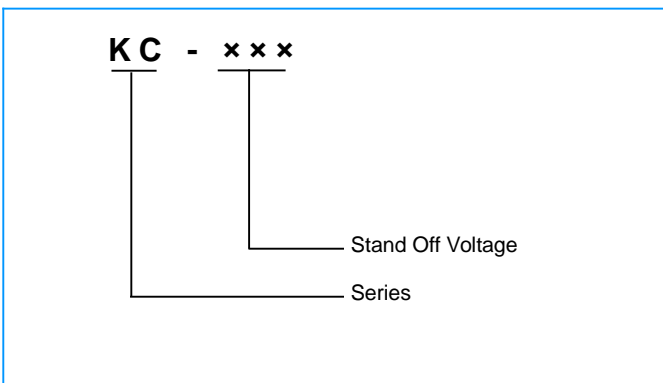
## KC Series

### Dimensions



Dimensions	Inches	Millimeters
<b>A</b>	max 0.571	max 14.5
<b>B</b>	Max0.500	max 12.7
<b>C</b>	$\Phi 0.051 \pm 0.004$	$\Phi 1.30 \pm 0.1$
<b>D</b>	$0.236 \pm 0.040$	$6.0 \pm 1.0$
<b>E</b>	$0.950 \pm 0.028$	$24.15 \pm 0.7$
<b>F</b>	max 0.10	max 2.5

### Part Numbering



### Part Marking

